

Measuring Length Using Informal Units

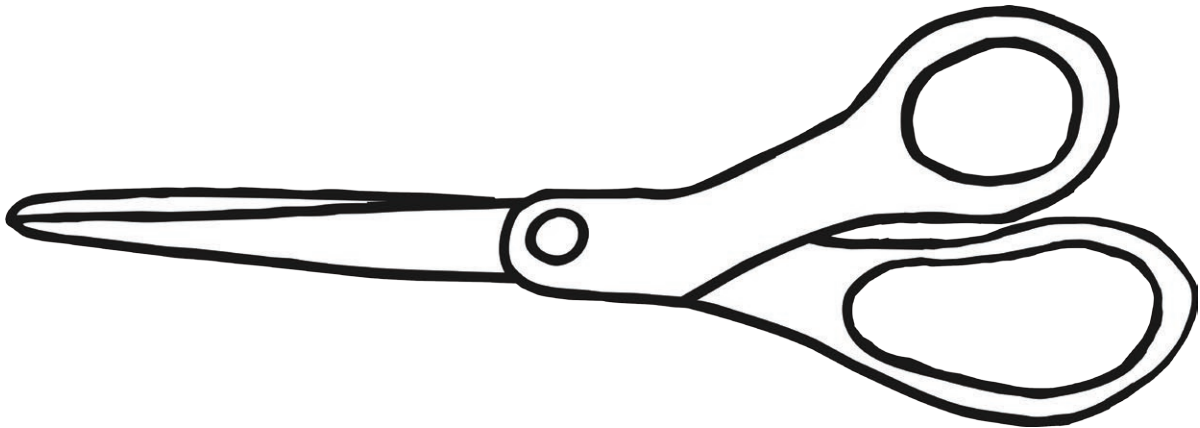
Estimate and measure the length of the pencil using different uniform materials.



Unit of Measurement	Estimate	Measurement
Cubes	I estimate the pencil to be _____ cubes.	The pencil is _____ cubes.
Paperclips	I estimate the pencil to be _____ paperclips.	The pencil is _____ paperclips.
Counters	I estimate the pencil to be _____ counters.	The pencil is _____ counters.
Dominoes	I estimate the pencil to be _____ dominoes.	The pencil is _____ dominoes.

Measuring Length Using Informal Units

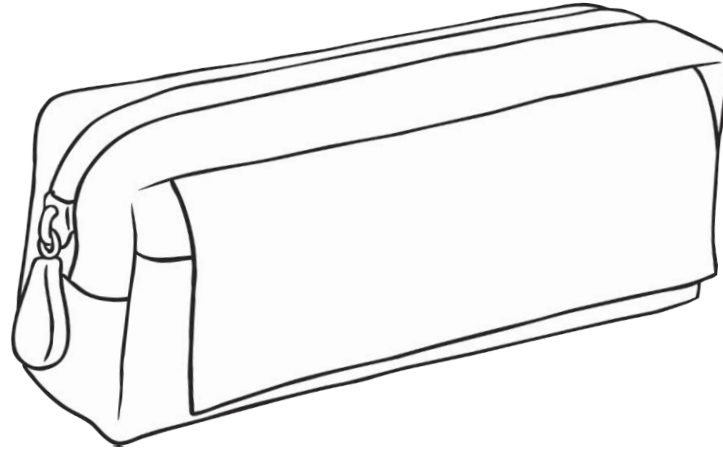
Estimate and measure the length of the scissors using different uniform materials.



Unit of Measurement	Estimate	Measurement
Cubes	I estimate the scissors to be _____ cubes.	The scissors is _____ cubes.
Paperclips	I estimate the scissors to be _____ paperclips.	The scissors is _____ paperclips.
Counters	I estimate the scissors to be _____ counters.	The scissors is _____ counters.
Dominoes	I estimate the scissors to be _____ dominoes.	The scissors is _____ dominoes.

Measuring Length Using Informal Units

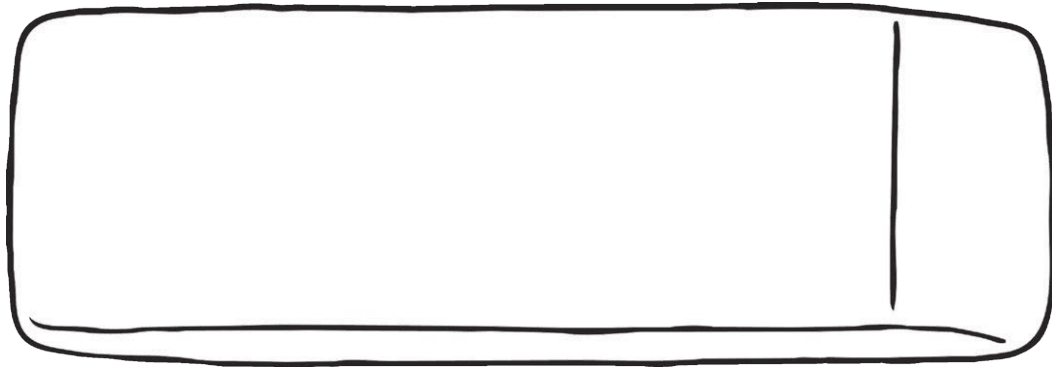
Estimate and measure the length of the pencil case using different uniform materials.



Unit of Measurement	Estimate	Measurement
Cubes	I estimate the pencil case to be _____ cubes.	The pencil case is _____ cubes.
Paperclips	I estimate the pencil case to be _____ paperclips.	The pencil case is _____ paperclips.
Counters	I estimate the pencil case to be _____ counters.	The pencil case is _____ counters.
Dominoes	I estimate the pencil case to be _____ dominoes.	The pencil case is _____ dominoes.

Measuring Length Using Informal Units

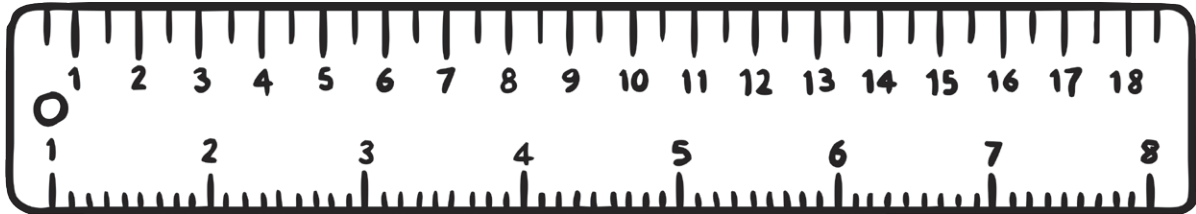
Estimate and measure the length of the eraser using different uniform materials.



Unit of Measurement	Estimate	Measurement
Cubes	I estimate the eraser to be _____ cubes.	The eraser is _____ cubes.
Paperclips	I estimate the eraser to be _____ paperclips.	The eraser is _____ paperclips.
Counters	I estimate the eraser to be _____ counters.	The eraser is _____ counters.
Dominoes	I estimate the eraser to be _____ dominoes.	The eraser is _____ dominoes.

Measuring Length Using Informal Units

Estimate and measure the length of the ruler using different uniform materials.



Unit of Measurement	Estimate	Measurement
Cubes	I estimate the ruler to be _____ cubes.	The ruler is _____ cubes.
Paperclips	I estimate the ruler to be _____ paperclips.	The ruler is _____ paperclips.
Counters	I estimate the ruler to be _____ counters.	The ruler is _____ counters.
Dominoes	I estimate the ruler to be _____ dominoes.	The ruler is _____ dominoes.